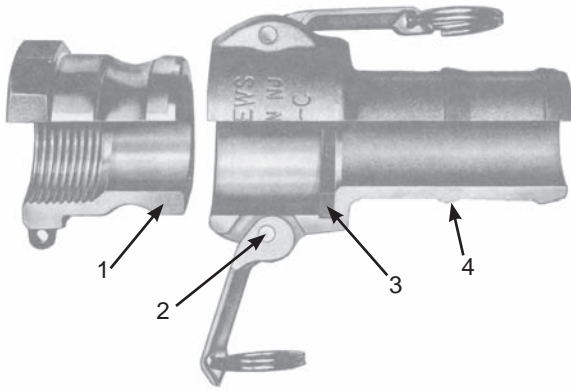


Cam & Groove Fittings

**Dixon**



1. Precision machined to rigid tolerances.
2. Durable stainless steel cam arm pins will not rust or bind, for greater strength and safety.
3. Recess holds gasket firmly in place - ensures proper placement.
4. Long shank design allows proper banding, thus eliminating the major cause of hose damage.

**Operation of Cam and Groove**

1. To make connection, simply slide the adapter into the coupler and with normal hand pressure, press the cam levers down.
2. Uncoupling is as quick and simple as coupling. Just lift the cam arms and remove the adapter.

**Boss-Lock**



Boss-Lock cam and groove provides a *unique patented safety feature*. The cast-in lugs allow safety clips to be attached once the lugs are passed through slots in the special cam lever arms. These clips prevent the coupler from being unlocked until they are removed, providing a *positive locking action*.

**Pull Ring Safety Clips**



Dixon has developed the pull ring safety clip to simplify the locking action on Boss-Lock couplers. No more inserting clips or dangling lanyards, just a twist and it's locked, giving you a low profile *positive locking action*.

**Buy with Confidence**

Boss-Lock investment stainless steel cam arms are *guaranteed!* Should you *ever* break a Boss-Lock investment stainless steel cam arm, simply return it to the nearest warehouse for a *free* replacement.

**Ordering System**



Size represents the coupler or adapter and hose or pipe end. (i.e. 200 = 2") If the coupling is a reducing size, the coupler or adapter is the first size. (i.e. 4030-C is 4" coupler to 3" hose shank).

**Specifications on Dixon Cam and Groove**

**Specifications:**

- Dixon, Boss-Lock and EZ Boss-Lock cam and groove couplers and adapters are produced to interchange with all product produced to Commercial Item Description A-A-59326B.
- No standard exists for the 1/2" and 8" fittings, and generally these sizes do not interchange with other manufacturers.
- Dust caps and dust plugs are **not** to be used in pressure applications for safety and environmental reasons.
- *Designed for use with liquids*, consult Dixon for specific recommendations.

**Pressure Ratings:**

**SAFETY ALERT** Recommendations based on the use of mating Dixon fittings at ambient temperature (70°F) with standard Buna-N Seal installed. For use at elevated temperature or other unusual operating conditions, consult the factory. Dixon, Boss-Lock and EZ Boss-Lock couplers and adapters maximum working pressure are as follows:

Size	1/2"	3/4" thru 2"	2 1/2"	3"	4"	5" and 6"	8"
PSI	150	250	150	125	100	75	50

## Reducing Cam and Groove Couplings

In reducing couplings, the coupler or adapter is the first size (i.e., a 4030-C-AL is a 4" coupler to a 3" hose shank).

### Type A

adapter x female NPT



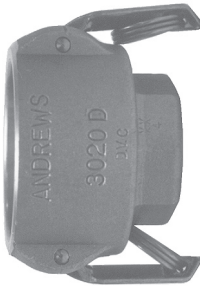
reducing  
male adapter x female NPT

Size	Aluminum		Opt Qty	Stainless Steel		Opt Qty
	Part #	Price/E		Part #	Price/E	
2" x 1½"	<b>2015-A-AL</b>	<b>\$40.25</b>	--	<b>2015-A-SS</b> <sup>1</sup>	<b>\$190.00</b>	--
2" x 3"	<b>2030-A-AL</b>	<b>55.75</b>	10	<b>2030-A-SS</b>	<b>204.00</b>	10
3" x 2"	<b>3020-A-AL</b>	<b>49.70</b>	5	<b>3020-A-SS</b>	<b>268.00</b>	10
3" x 4"	<b>3040-A-AL</b>	<b>61.00</b>	10	---	---	--
4" x 3"	<b>4030-A-AL</b>	<b>63.90</b>	10	<b>4030-A-SS</b> <sup>1</sup>	<b>425.00</b>	--
4" x 6"	<b>4060-A-AL</b>	<b>181.75</b>	5	---	---	--
6" x 4"	<b>6040-A-AL</b>	<b>192.60</b>	5	<b>6040-A-SS</b> <sup>1</sup>	<b>985.00</b>	--

<sup>1</sup> Parts are produced as a welded fabrication.

### Type D

coupler x female NPT



reducing  
female coupler x female NPT

Size	Aluminum		Opt Qty	Brass		Stainless Steel	
	Part #	Price/E		Part #	Price/E	Part #	Price/E
1½" x 1"	<b>1510-D-AL</b> <sup>1</sup>	<b>\$63.50</b>	10	---	---	<b>1510-D-SS</b> <sup>1</sup>	<b>\$292.00</b>
2" x 1½"	<b>2015-D-AL</b>	<b>40.25</b>	10	---	---	<b>2015-D-SS</b>	<b>190.00</b>
3" x 2"	<b>3020-D-AL</b>	<b>73.90</b>	10	---	---	<b>3020-D-SS</b>	<b>330.00</b>
4" x 3"	<b>4030-D-AL</b>	<b>112.65</b>	10	<b>4030-D-BR</b>	<b>\$363.00</b>	<b>4030-D-SS</b> <sup>1</sup>	<b>488.00</b>
5" x 4"	<b>5040-D-AL</b> <sup>1</sup>	<b>315.00</b>	--	---	---	---	---
6" x 4"	<b>6040-D-AL</b> <sup>1</sup>	<b>393.00</b>	--	---	---	---	---

<sup>1</sup> Parts are produced as a welded fabrication.

### Type E

adapter x hose shank



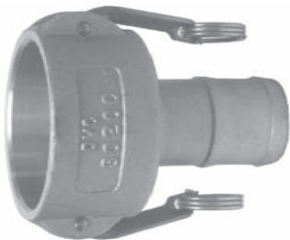
reducing  
male adapter x hose shank

Size	Aluminum		Opt Qty	Stainless Steel	
	Part #	Price/E		Part #	Price/E
2" x 1½"	<b>2015-E-AL</b> <sup>1</sup>	<b>\$161.20</b>	--	<b>2015-E-SS</b> <sup>1</sup>	<b>\$195.00</b>
3" x 2"	---	---	--	<b>3020-E-SS</b> <sup>1</sup>	<b>351.20</b>
3" x 2½"	---	---	--	<b>3025-E-SS</b>	<b>190.80</b>
4" x 3"	<b>4030-E-AL</b>	<b>83.50</b>	10	<b>4030-E-SS</b> <sup>1</sup>	<b>541.00</b>
5" x 4"	<b>5040-E-AL</b> <sup>1</sup>	<b>315.00</b>	--	---	---

<sup>1</sup> Parts are produced as a welded fabrication.

### Type C

coupler x hose shank



reducing  
female coupler x hose shank

Size	Aluminum		Opt Qty	Stainless Steel	
	Part #	Price/E		Part #	Price/E
2" x 1½"	<b>2015-C-AL</b> <sup>1</sup>	<b>\$159.00</b>	--	<b>2015-C-SS</b> <sup>1</sup>	<b>\$320.00</b>
3" x 2"	<b>3020-C-AL</b>	<b>62.50</b>	10	<b>3020-C-SS</b>	<b>342.80</b>
3" x 2½"	---	---	--	<b>3025-C-SS</b>	<b>378.00</b>
3" x 4"	<b>3040-C-AL</b>	<b>109.40</b>	5	---	---
4" x 3"	<b>4030-C-AL</b>	<b>86.90</b>	5	<b>4030-C-SS</b> <sup>1</sup>	<b>570.00</b>
5" x 4"	<b>5040-C-AL</b> <sup>1</sup>	<b>315.00</b>	--	---	---

<sup>1</sup> Parts are produced as a welded fabrication.

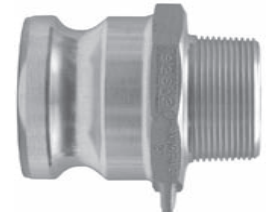
## Reducing Cam and Groove Couplings

In reducing couplings, the coupler or adapter is the first size (i.e., a 4030-C-AL is a 4" coupler to a 3" hose shank).

### Type F

#### adapter x male NPT

Size	Aluminum		Opt Qty	Stainless Steel	
	Part #	Price/E		Part #	Price/E
1½" x 2"	<b>1520-F-AL</b>	<b>\$41.50</b>	--	---	---
2" x 1½"	<b>2015-F-AL</b>	<b>43.20</b>	--	<b>2015-F-SS</b> <sup>1</sup>	<b>\$379.60</b>
2" x 3"	<b>2030-F-AL</b>	<b>64.20</b>	--	---	---
3" x 1½"	<b>3015-F-AL</b>	<b>55.90</b>	10	<b>3015-F-SS</b> <sup>1</sup>	<b>405.00</b>
3" x 2"	<b>3020-F-AL</b>	<b>59.50</b>	10	<b>3020-F-SS</b>	<b>399.00</b>
3" x 4"	<b>3040-F-AL</b>	<b>76.60</b>	10	---	---
4" x 3"	<b>4030-F-AL</b>	<b>83.00</b>	10	<b>4030-F-SS</b> <sup>1</sup>	<b>575.00</b>



reducing  
male adapter x male NPT

<sup>1</sup> Parts are produced as a welded fabrication.

### Type B

#### coupler x male NPT

Size	Aluminum		Opt Qty	Stainless Steel	
	Part #	Price/E		Part #	Price/E
1½" x 1"	<b>1510-B-AL</b>	<b>\$58.00</b>	10	<b>1510-B-SS</b> <sup>1</sup>	<b>\$295.00</b>
2" x 1½"	<b>2015-B-AL</b>	<b>61.25</b>	10	<b>2015-B-SS</b> <sup>1</sup>	<b>334.90</b>
2" x 3"	<b>2030-B-AL</b>	<b>67.70</b>	--	---	---
3" x 2"	<b>3020-B-AL</b>	<b>68.50</b>	10	<b>3020-B-SS</b> <sup>1</sup>	<b>345.00</b>
3" x 4"	<b>3040-B-AL</b>	<b>100.00</b>	10	---	---
4" x 3"	<b>4030-B-AL</b>	<b>108.00</b>	5	<b>4030-B-SS</b> <sup>1</sup>	<b>485.80</b>



reducing  
female coupler x male NPT

<sup>1</sup> Parts are produced as a welded fabrication.

## Reducing Cam and Groove Couplings

In reducing cam and groove couplings, the coupler is the first size (i.e., a 4030-DA-AL is a 4" coupler to a 3" adapter).

<sup>1</sup> Parts are produced as a welded fabrication.

<sup>2</sup> The 8" coupler has 4 cam arms and *does not interchange*.



3" coupler x 1½" adapter



4" coupler x 6" adapter



3" coupler x 2½" adapter



5" coupler x 6" adapter

### coupler x adapter

Size	Aluminum		Opt Qty	Stainless Steel	
	Part #	Price/E		Part #	Price/E
1" x 1½"	1015-DA-AL <sup>1</sup>	\$145.00	--	1015-DA-SS <sup>1</sup>	\$298.75
1½" x 1"	1510-DA-AL	60.90	--	1510-DA-SS <sup>1</sup>	290.00
1½" x 2"	1520-DA-AL	80.20	10	1520-DA-SS	369.00
2" x 1"	2010-DA-AL <sup>1</sup>	135.00	--	2010-DA-SS <sup>1</sup>	235.00
2" x 1½"	2015-DA-AL	57.40	10	2015-DA-SS	262.00
2" x 2½"	2025-DA-AL <sup>1</sup>	140.00	--	2025-DA-SS <sup>1</sup>	525.00
2" x 3"	2030-DA-AL	68.50	5	2030-DA-SS	283.25
2" x 4"	2040-DA-AL	110.65	--	2040-DA-SS <sup>1</sup>	476.00
2½" x 2"	---	---	--	2520-DA-SS <sup>1</sup>	520.00
2½" x 3"	---	---	--	2530-DA-SS <sup>1</sup>	595.00
3" x 1½"	3015-DA-AL	86.60	--	3015-DA-SS <sup>1</sup>	375.00
3" x 2"	3020-DA-AL	64.90	10	3020-DA-SS	277.00
3" x 2½"	3025-DA-AL <sup>1</sup>	133.35	--	3025-DA-SS <sup>1</sup>	466.50
3" x 4"	3040-DA-AL	99.90	5	3040-DA-SS	729.00
3" x 6"	3060-DA-AL <sup>1</sup>	232.00	--	3060-DA-SS <sup>1</sup>	698.00
4" x 2"	4020-DA-AL	99.00	5	4020-DA-SS <sup>1</sup>	544.80
4" x 2½"	4025-DA-AL	147.00	--	4025-DA-SS <sup>1</sup>	732.00
4" x 3"	4030-DA-AL	102.50	5	4030-DA-SS	520.00
4" x 5"	4050-DA-AL	220.00	2	---	---
4" x 6"	4060-DA-AL	179.10	2	4060-DA-SS <sup>1</sup>	1097.00
5" x 3"	5030-DA-AL <sup>1</sup>	255.50	2	5030-DA-SS <sup>1</sup>	725.00
5" x 4"	5040-DA-AL	181.75	2	5040-DA-SS <sup>1</sup>	717.90
5" x 6"	5060-DA-AL <sup>1</sup>	375.50	--	5060-DA-SS	950.00
6" x 3"	6030-DA-AL	195.90	2	6030-DA-SS <sup>1</sup>	1125.80
6" x 4"	6040-DA-AL	178.75	2	6040-DA-SS	1125.80
6" x 5"	6050-DA-AL	321.70	--	6050-DA-SS <sup>1</sup>	1225.00
8" x 6"	8060-DA-AL <sup>1,2</sup>	1100.00	--	---	---

Size	Aluminum Hard Coat		Brass		Opt Qty	Iron		Opt Qty
	Part #	Price/E	Part #	Price/E		Part #	Price/E	
3" x 2"	3020-DA-ALH	\$92.00	3020-DA-BR	\$273.90	10	3020-DA-MI	\$103.40	10
3" x 4"	---	---	3040-DA-BR	367.50	5	---	---	--
4" x 3"	4030-DA-ALH	142.50	4030-DA-BR	305.00	2	4030-DA-MI	197.30	--
6" x 4"	---	---	6040-DA-BR	675.00	--	6040-DA-MI	420.00	--

## Reducing Couplers x Adapters with Port



Size	Tap Size	Stainless Steel	
		Part #	Price/E
3" x 2"	1/4"	3020DAT25SS	\$354.00
3" x 2"	3/8"	3020DAT38SS	354.00
3" x 2"	1/2"	3020DAT50SS	354.00
3" x 2"	3/4"	3020DAT75SS	354.00

## Cam &amp; Groove Fittings

## Boss-Lock Reducing Cam and Groove Couplings

In reducing cam and groove couplings, the coupler is the first size (i.e., a 4030-DA-AL is a 4" coupler to a 3" adapter).

<sup>1</sup> Parts are produced as a welded fabrication.

<sup>2</sup> The 8" coupler *does not interchange*.

**SAFETY  
ALERT**

Size	Aluminum		Stainless Steel		Opt Qty
	Part #	Price/E	Part #	Price/E	
2" x 3"	<b>ADA2030</b> <sup>1</sup>	<b>\$167.50</b>	<b>RDA2030BL</b>	<b>\$392.25</b>	10
2½" x 2"	<b>ADA2520</b> <sup>1</sup>	<b>148.80</b>	---	---	--
2½" x 3"	<b>ADA2530</b> <sup>1</sup>	<b>206.00</b>	---	---	--
3" x 2"	<b>ADA3020</b>	<b>78.75</b>	<b>RDA3020BL</b>	<b>354.55</b>	10
3" x 4"	<b>ADA3040</b> <sup>1</sup>	<b>196.35</b>	<b>RDA3040BL</b>	<b>400.00</b>	10
4" x 2"	<b>ADA4020</b> <sup>1</sup>	<b>223.80</b>	<b>RDA4020BL</b>	<b>620.50</b>	10
4" x 3"	<b>ADA4030</b>	<b>132.00</b>	<b>RDA4030BL</b>	<b>594.45</b>	10
6" x 4"	<b>ADA6040</b> <sup>1</sup>	<b>498.20</b>	---	---	--
8" x 6"	<b>ADA8060</b> <sup>1,2</sup>	<b>1077.00</b>	---	---	--



3" coupler x 2" adapter

## EZ Boss-Lock Reducing Cam and Groove Couplings

In reducing cam and groove couplings, the coupler is the first size (i.e., a 4030-DA-AL is a 4" coupler to a 3" adapter).

<sup>1</sup> Parts are produced as a welded fabrication.

Size	Aluminum		Stainless Steel	
	Part #	Price/E	Part #	Price/E
2" x 3"	<b>ADA2030EZ</b> <sup>1</sup>	<b>\$195.80</b>	<b>RDA2030EZ</b> <sup>1</sup>	<b>\$398.60</b>
3" x 2"	<b>ADA3020EZ</b>	<b>132.20</b>	<b>RDA3020EZ</b>	<b>357.25</b>
3" x 4"	<b>ADA3040EZ</b> <sup>1</sup>	<b>241.85</b>	<b>RDA3040EZ</b> <sup>1</sup>	<b>421.00</b>
4" x 2"	<b>ADA4020EZ</b> <sup>1</sup>	<b>282.15</b>	<b>RDA4020EZ</b> <sup>1</sup>	<b>629.80</b>
4" x 3"	<b>ADA4030EZ</b>	<b>185.00</b>	<b>RDA4030EZ</b>	<b>587.60</b>
6" x 4"	<b>ADA6040EZ</b> <sup>1</sup>	<b>544.10</b>	<b>RDA6040EZ</b>	<b>635.00</b>



4" coupler x 2" adapter

## Dixon Lockable Dust Caps

Size	Aluminum		Opt Qty	Brass		Opt Qty
	Part #	Price/E		Part #	Price/E	
1½"	<b>150DC-LAL</b>	<b>\$45.25</b>	10	<b>150DC-LBR</b>	<b>\$85.65</b>	10
2"	<b>200DC-LAL</b>	<b>48.80</b>	10	<b>200DC-LBR</b>	<b>90.60</b>	10
3"	<b>300DC-LAL</b>	<b>58.50</b>	10	<b>300DC-LBR</b>	<b>110.00</b>	10
4"	<b>400DC-LAL</b>	<b>78.60</b>	10	<b>400DC-LBR</b>	<b>156.00</b>	10
6"	<b>600DC-LAL</b>	<b>197.10</b>	2	---	---	--



- with angled, ergonomic thumb release

Size	Stainless Steel	
	Part #	Price/E
1½"	<b>150DC-LSS</b>	<b>\$116.15</b>
2"	<b>200DC-LSS</b>	<b>157.90</b>
3"	<b>300DC-LSS</b>	<b>191.30</b>
4"	<b>400DC-LSS</b>	<b>249.50</b>

