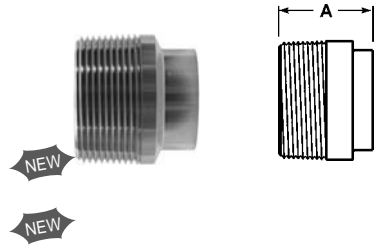


Tube OD Adapters

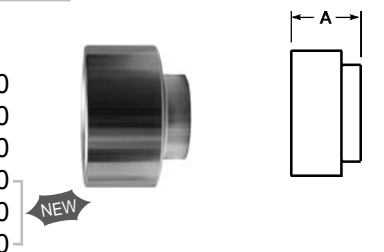
Weld x Male NPT - B19WB

Tube OD	Dimension A	Nominal Wall	304 Part Number	316L Part Number
1/2"	1.625	.065	---	B19WB-R50
3/4"	1.625	.065	---	B19WB-R75
1"	1.750	.065	B19WB-G100	B19WB-R100
1 1/2"	1.750	.065	B19WB-G150	B19WB-R150
2"	1.812	.065	B19WB-G200	B19WB-R200
2 1/2"	2.312	.065	B19WB-G250	B19WB-R250
3"	2.500	.065	B19WB-G300	B19WB-R300
4"	2.562	.083	B19WB-G400	B19WB-R400



Weld x Female NPT - B22WB

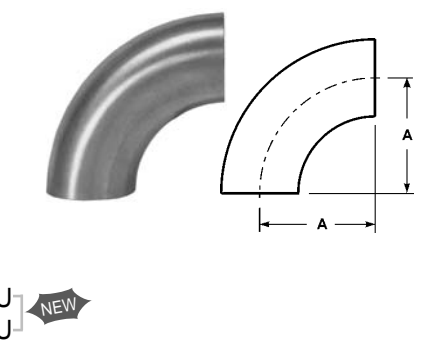
Tube OD	Dimension A	Nominal Wall	304 Part Number	316L Part Number
1/2"	1.250	.065	---	B22WB-R50
3/4"	1.625	.065	---	B22WB-R75
1"	1.750	.065	B22WB-G100	B22WB-R100
1 1/2"	1.750	.065	B22WB-G150	B22WB-R150
2"	1.812	.065	B22WB-G200	B22WB-R200
2 1/2"	2.312	.065	B22WB-G250	B22WB-R250
3"	2.500	.065	B22WB-G300	B22WB-R300
4"	2.500	.083	B22WB-G400	B22WB-R400



Tube OD Elbows

90° Weld Elbows - B2WCL

Tube OD	Dimension A	Nominal Wall	304 Part Number	316L Part Number
1/2"	1.125	.065	---	B2WCL-R50U
3/4"	1.125	.065	---	B2WCL-R75U
1"	1.500	.065	B2WCL-G100U	B2WCL-R100U
1 1/2"	2.250	.065	B2WCL-G150U	B2WCL-R150U
2"	3.000	.065	B2WCL-G200U	B2WCL-R200U
2 1/2"	3.750	.065	B2WCL-G250U	B2WCL-R250U
3"	4.500	.065	B2WCL-G300U	B2WCL-R300U
4"	6.000	.083	B2WCL-G400U	B2WCL-R400U
6"	9.000	.109	B2WCL-G600U	B2WCL-R600U
8"	12.000	.120	B2WCL-G800U	B2WCL-R800U
10"	15.000	.109	B2WCL-G1000U	B2WCL-R1000U
12"	18.000	.120	B2WCL-G1200U	B2WCL-R1200U



90° Weld Elbows with Tangents - B2S

Tube OD	Dimension A	Nominal Wall	304 Part Number	316L Part Number
1/2"	3.000	.065	---	B2S-R50U
3/4"	3.000	.065	---	B2S-R75U
1"	2.062	.065	B2S-G100U	B2S-R100U
1 1/2"	2.937	.065	B2S-G150U	B2S-R150U
2"	4.062	.065	B2S-G200U	B2S-R200U
2 1/2"	5.187	.065	B2S-G250U	B2S-R250U
3"	6.312	.065	B2S-G300U	B2S-R300U
4"	8.312	.083	B2S-G400U	B2S-R400U

