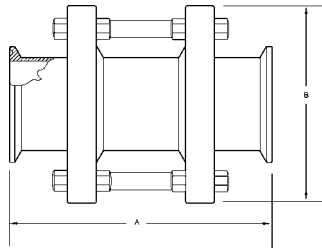


Sight Glasses

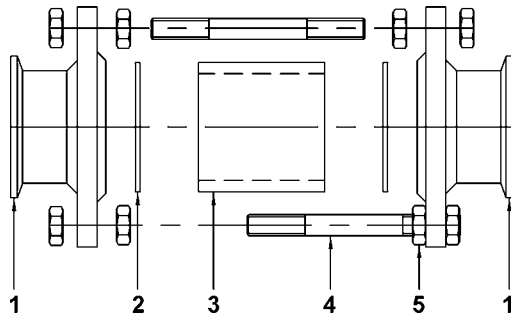
In-Line Sight Glass - B54BMP



- made with borosilicate (Pyrex®) glass with white buna gaskets
- various end configurations are available: clamp, weld, bevel seat, John Perry, I-line, and Q-line
- maximum temperature: **200°F**

Tube OD	Dimensions		Part Number	Working Pressure
	A	B		
1"	5.625	3.250	B54BMP-R100	145
1½"	5.625	4.000	B54BMP-R150	145
2"	5.625	4.250	B54BMP-R200	145
2½"	6.125	4.750	B54BMP-R250	120
3"	7.250	5.500	B54BMP-R300	120
4"	7.375	6.500	B54BMP-R400	95
6"	7.625	9.500	B54BMP-R600	80

B54BMP Sight Glass Replacement Parts



Seal Kit Contains:
(2) white buna gaskets

0

Item	Description	Material	Qty
1	end plate	316L stainless	2
2	gasket	white buna	2
3	tube	glass	1
4	stud	304 stainless	4/6
5	nuts	304 stainless	8/12

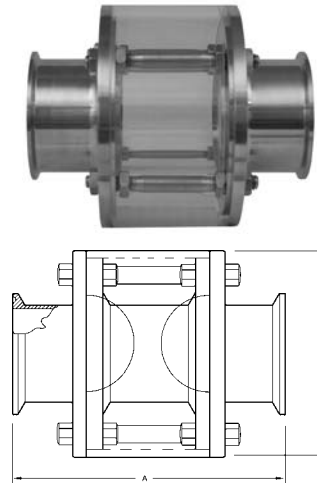
Size	Seal Kit Part Number	Replacement Glass
1"	B54BMP-SK100	B54G-P100
1½"	B54BMP-SK150	B54G-P150
2"	B54BMP-SK200	B54G-P200
2½"	B54BMP-SK250	B54G-P250
3"	B54BMP-SK300	B54G-P300
4"	B54BMP-SK400	B54G-P400
6"	B54BMP-SK600	B54G-P600

Sight Glasses

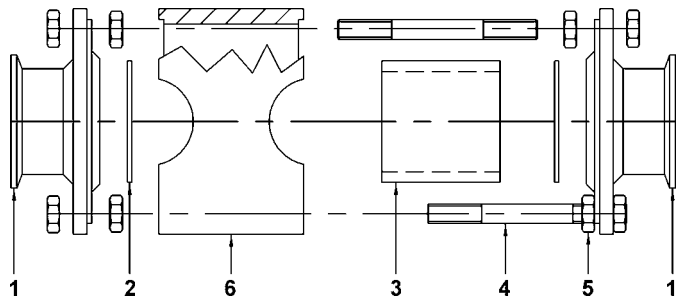
In-Line Sight Glass with Shield - B54MPS

- clear acrylic protective sleeve surrounding the borosilicate (Pyrex®) glass
- protects the glass from falling objects
- maximum temperature: **200°F**

Tube O.D.	Dimensions		Part Number	Working Pressure
	A	B		
1"	5.875	4.500	B54MPS-R100	145
1½"	5.875	4.500	B54MPS-R150	145
2"	5.875	4.500	B54MPS-R200	145
2½"	6.375	5.250	B54MPS-R250	120
3"	7.500	7.000	B54MPS-R300	120
4"	7.625	7.000	B54MPS-R400	95
6"	7.625	9.500	B54MPS-R600	80



B54BMPS Sight Glass Replacement Parts



Seal Kit Contains:
(2) white buna gaskets

Item	Description	Material	Qty	Size	Seal Kit Part Number	Replacement Glass
1	end plate	316L stainless	2	1"	B54BMPS-SK100	B54GS-P100
2	gasket	white buna	2	1½"	B54BMPS-SK150	B54GS-P150
3	tube	glass	1	2"	B54BMPS-SK200	B54GS-P200
4	stud	304 stainless	4/6	2½"	B54BMPS-SK250	B54GS-P250
5	nuts	304 stainless	8/12	3"	B54BMPS-SK300	B54GS-P300
6	shield	acrylic	1	4"	B54BMPS-SK400	B54GS-P400
				6"	B54BMPS-SK600	B54GS-P600

Caps

Sight Glass End Caps - B5416MP

- for use on any line with a clamp and gasket
- purchase a cross and put this cap on each end for a clear view of your product flow
- maximum temperature: **150°F**
- maximum operating pressure: **100 PSI**
- acrylic plastic

Size	Dimensions		Acrylic Part Number
	A	B	
1½"	.438	1.984	B5416MP-A100150
2"	.438	2.516	B5416MP-A200
2½"	.438	3.047	B5416MP-A250
3"	.438	3.579	B5416MP-A300
4"	.438	4.682	B5416MP-A400
6"	.438	6.562	B5416MP-A600

