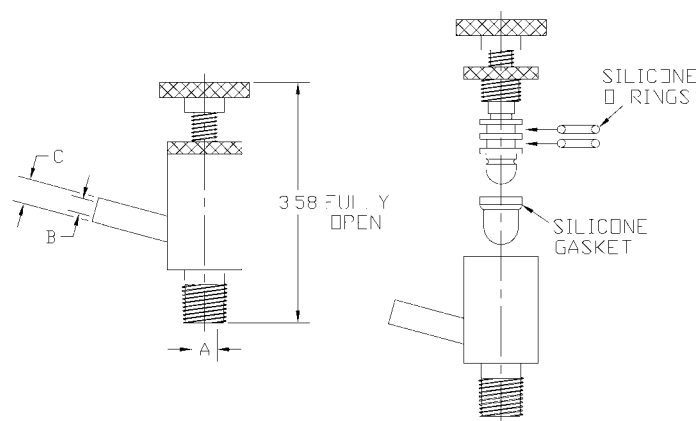
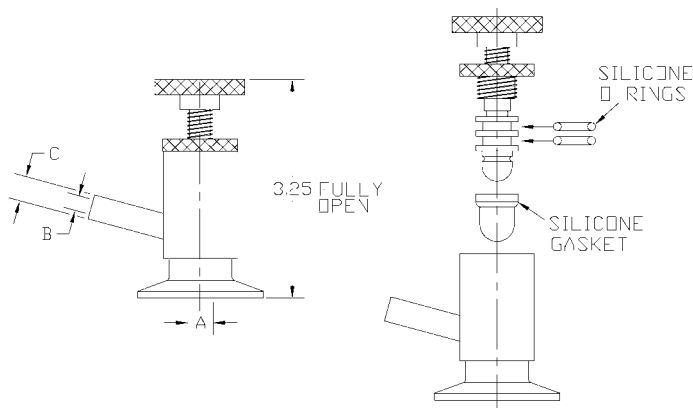


### 304 Sample Valve



NPT end configuration

- 304 stainless steel
- Silicone O-ring and plunger ensure a leak-proof shut-off
- surface finish polished to sanitary standards
- end connections available: clamp and NPT
- sizes available: 1" clamp and 3/8" NPT
- temperature rating: **300° @ 200 PSI**



clamp end configuration

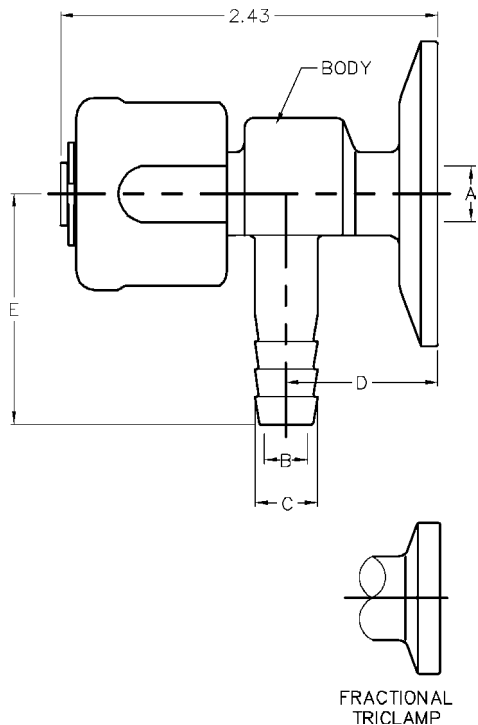
Q

Size	Type	Part Number		Dimensions (in)			Weight (lbs)
				A	B		
3/8"	NPT	BSVWNS-G375	3.58	.360	.235	.378	.72
1"	clamp	BSVWCS-G100	3.25	.360	.235	.378	.88
1"	butt-weld	<b>NEW</b> BSVWBS-G100	3.58	.360	.235	.235	.72

#### Repair Kit for 304 Sample Valve

Part Number	Description	Material	Qty
BSVW-RKS	seal	PTFE	1
	O-ring	Silicone	2

## 316L Angle Sample Valve



- all 316L stainless wetted part construction
- standard finish to 20 R<sub>a</sub> ID / 32 R<sub>a</sub> OD
- Viton® stem seal (FDA approved)
- fully traceable (*material test reports*)
- domed virgin Teflon® seat for positive closure
- tapered sanitary clamp connection prevents product back flow when installed in-line
- set screw stop prevents accidental removal of stem from valve body
- black nylon nut cover allows hand operation even with hot products
- minimal internal dead-leg area
- end connections available: clamp and butt weld
- sizes available: ½" thru 1½"
- temperature rating: **300° @ 200 PSI**

Size		Part Number	Dimensions (in)					Weight (lbs)
clamp	barb		A	B	C	D	E	
½"	¼"	BSVACV-R050025	0.218	0.187	0.312	0.972	1.50	0.250
½"	⅜"	BSVACV-R050375	0.218	0.218	0.405	0.952	1.50	0.375
½"	½"	BSVACV-R050050	0.218	0.375	0.540	0.878	1.50	0.500
1½"	¼"	BSVACV-R150025	0.218	0.187	0.312	0.987	1.50	0.500
1½"	⅜"	BSVACV-R150375	0.218	0.218	0.405	0.985	1.50	0.500
3"	¼"	BSVACV-R300025 <b>NEW</b>	0.218	0.187	0.312	0.987	1.50	0.800

### Repair Kit for Angle Sample Valve

Part Number	Description	Material	Qty
BSVA-RKS	seal O-ring	Teflon® Viton®	1 1

- for sizes and types available, please call Dixon Sanitary for more information

**Q**


BSVICV