

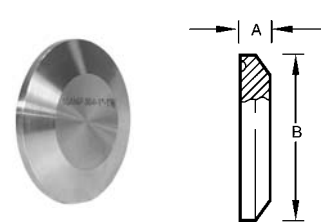


Pipe End Caps

Solid End Caps - 16AMV

Pipe Size	Dimensions		304 Part Number	316L Part Number
	A	B		
1"	.250	1.984	16AMV-G100	16AMV-R100
1½"	.250	2.516	16AMV-G150	16AMV-R150
2"	.250	3.047	16AMV-G200	16AMV-R200
2½"	.250	3.579	16AMV-G250	16AMV-R250
3"	.312	4.125	16AMV-G300	16AMV-R300
4"	.312	5.125	16AMV-G400	16AMV-R400
6"	.437	7.195	16AMV-G600 	16AMV-R600 

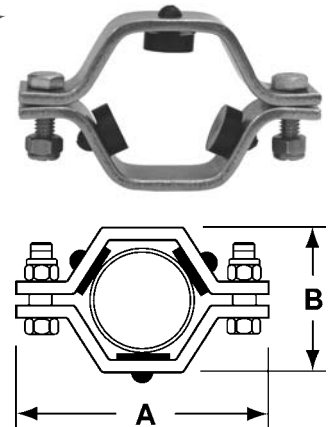


D

Pipe Hangers

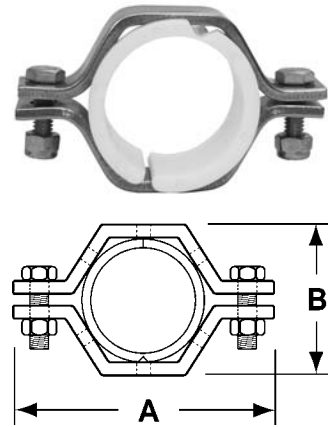
Hex with Grommet - B24RV

Pipe Size	Dimensions		Part Number
	A	B	
1"	3.625	2.125	B24RV-G100
1½"	4.313	2.813	B24RV-G150
2"	4.875	3.250	B24RV-G200
2½"	5.375	3.875	B24RV-G250
3"	6.062	4.313	B24RV-G300
4"	7.438	5.125	B24RV-G400
6"	9.875	7.125	B24RV-G600



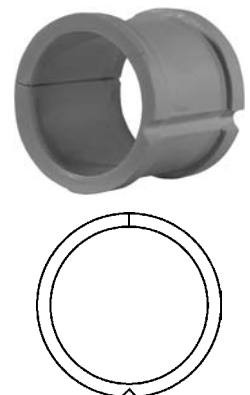
Hex with Sleeves - B24PV

Pipe Size	Dimensions		Part Number
	A	B	
1"	2.688	1.563	B24PV-G100
1½"	3.625	2.125	B24PV-G150
2"	4.313	2.625	B24PV-G200
2½"	4.813	3.125	B24PV-G250
3"	5.375	3.625	B24PV-G300
4"	6.625	4.625	B24PV-G400
6"	9.000	6.625	B24PV-G600



Polypropylene Sleeves - 13PV

Pipe Size	Part Number
1"	13PV-G100
1½"	13PV-G150
2"	13PV-G200
2½"	13PV-G250
3"	13PV-G300
4"	13PV-G400
6"	13PV-G600



- Parts may be available in 316L, call Dixon Sanitary for information.
- See page 147 for gasket information.