



1032 Sanitary Pressure Gauges



- accuracy: $\pm 1.5\%$ of full scale
- over range capacity: 30%
- wetted surfaces: 316L stainless steel
- surface finishes (wetted parts): RA max = 25 microinches
- case material: 304 stainless steel
- dial size: 3½" or 5" diameter
- lens material: polycarbonate
- window material: glass
- temperature limits: 0°F (-18°C) to 250°F (121°C)
- standard fill: food grade glycerin
- rezero feature: standard on pointer
- shipping weight: approximately 3 lbs. (1.3 kg)

Note: for high temperature applications call the factory

Available Pressure Ranges (PSI)

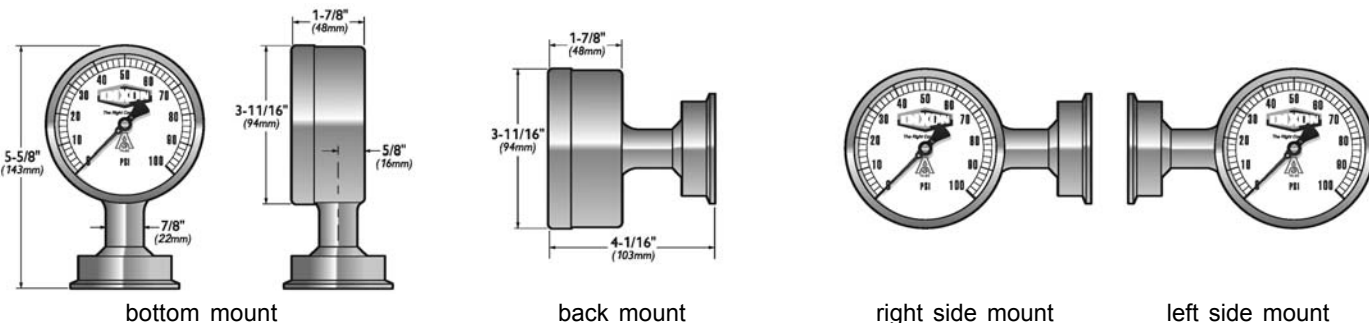
0 to 30	0 to 300	30" - 0-60
0 to 60	0 to 400	30" - 0-100
0 to 100	0 to 600	30" - 0-150
0 to 160	0 to 1,000	30" - 0-200
0 to 200		30" - 0-300

Available Fittings Connections

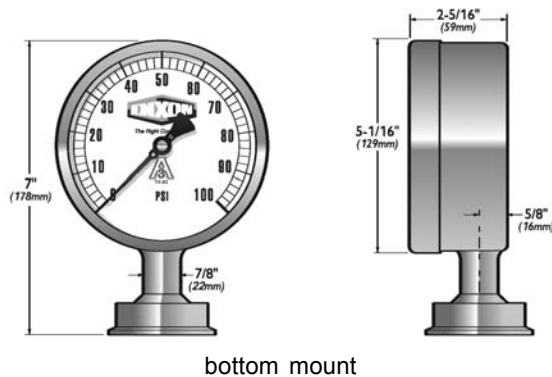
- clamp, bevel seat, I-line and Q-line
- contact the factory for connections not listed

Standard scales are in PSI only, dual scale PSI/BAR and other scales available upon request

3½" Gauge (90 mm)



5" Gauge (120 mm)



(shown with 2" Tri-Clamp®)

Pharmaceutical Pressure Gauges

- accuracy: ± 0.75% of full scale
- over range capacity: 30%
- wetted surfaces: 316L stainless steel
- surface finishes (wetted parts): RA max = 8 microinches
- case material: 304 stainless steel
- dial size: 2½", 3½" or 5" diameter
- lens material: polycarbonate
- window material: glass
- temperature limits: 0°F (-18°C) to 250°F (121°C)
- standard fill: food grade glycerin
- rezero feature: standard on pointer
- shipping weight: approximately 3 lbs. (1.3 kg)



Note: for high temperature applications call the factory

Available Pressure Ranges (PSI)

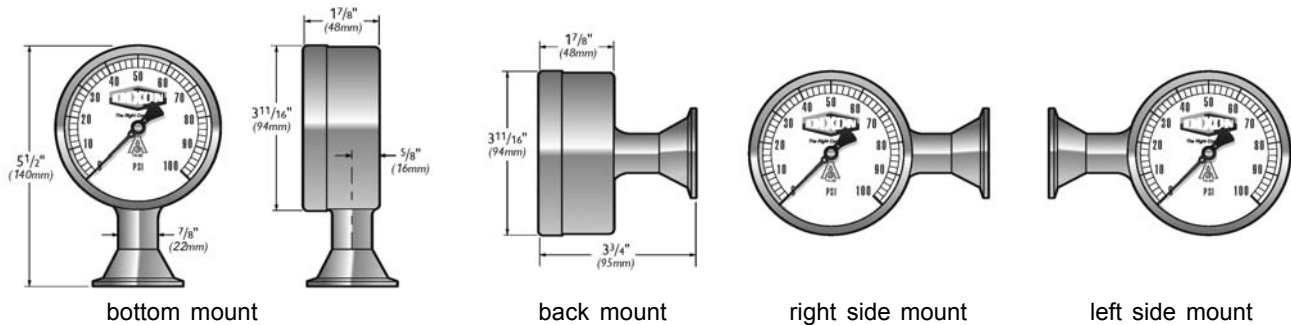
0 to 30	0 to 300	30" - 0-60
0 to 60	0 to 400	30" - 0-100
0 to 100	0 to 600	30" - 0-150
0 to 160	0 to 1,000	30" - 0-200
0 to 200		30" - 0-300

Available Fittings Connections

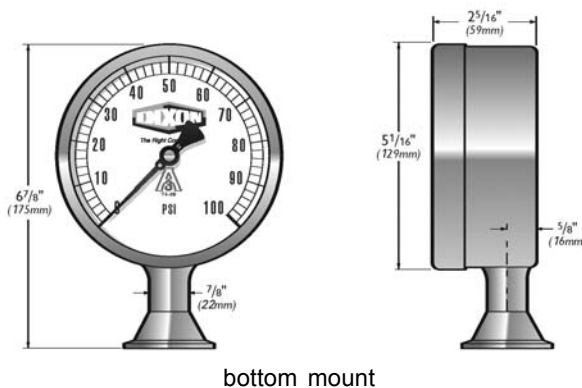
- clamp, bevel seat, I-line and Q-line
- contact the factory for connections not listed

Standard scales are in PSI only, dual scale PSI/BAR and other scales available upon request

3½" Gauge (90 mm)



5" Gauge (120 mm)



(shown with 1½" Tri-Clamp®)

- see page 7 for ordering information