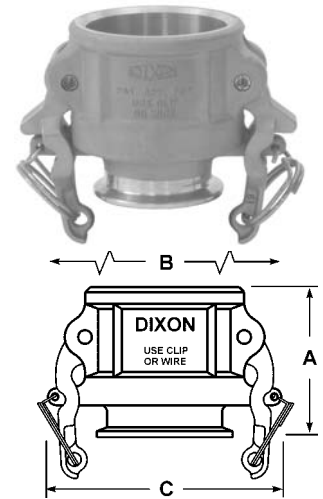


Cam and Groove Industrial Transition Fittings

Cam and Groove Coupler x Clamp End

Size	Dimensions			Coupler Part #
	A	B	C	
1"-1½"	2.687	7.875	3.937	RC150SE
2"	2.812	8.250	4.312	RC200SE
3"	3.000	10.000	5.625	RC300SE

- material: CF8M (316)
- coupling does not have a sanitary polish



Cam and Groove Adapter x Clamp End

Size	Dimensions			Adapter Part #
	A	B	C	
1"-1½"	2.281	2.000	2.093	RE150SE
2"	2.593	2.500	2.468	RE200SE
3"	2.750	3.562	3.593	RE300SE

- material: CF8M (316)
- coupling does not have a sanitary polish

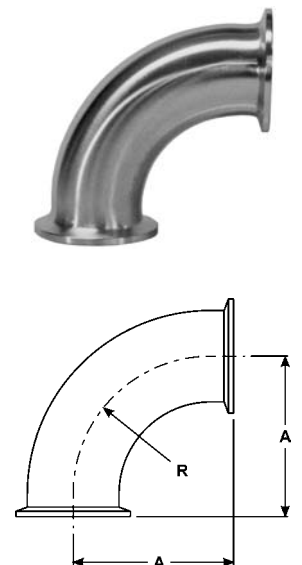


Clamp Elbows



90° Clamp Elbows - B2CMP

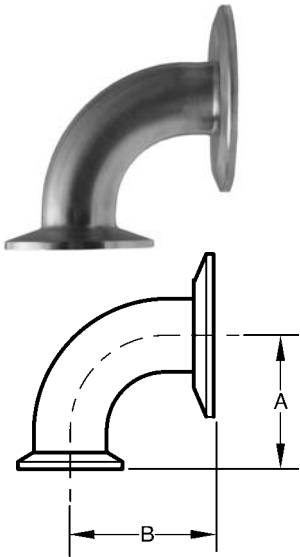
Tube OD	Dimensions		304 Part Number	316L Part Number
	A	R		
½"	1.625	1.125	---	B2CMP-R50
¾"	1.625	1.125	---	B2CMP-R75
1"	3.500	1.125	---	B2CMPL-R50
1½"	3.500	1.125	---	B2CMPL-R75
2"	2.000	1.500	B2CMP-G100	B2CMP-R100
2½"	2.750	2.250	B2CMP-G150	B2CMP-R150
3"	3.500	3.000	B2CMP-G200	B2CMP-R200
3½"	4.250	3.750	B2CMP-G250	B2CMP-R250
4"	5.000	4.500	B2CMP-G300	B2CMP-R300
4½"	6.625	6.000	B2CMP-G400	B2CMP-R400
5"	9.875	9.000	B2CMP-G600	B2CMP-R600
6"	12.875	12.000	B2CMP-G800	B2CMP-R800
8"	15.875	15.000	B2CMP-G1000	---
10"	18.875	18.000	B2CMP-G1200	---



B

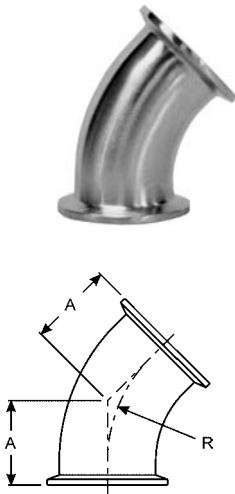
Clamp Elbows


90° Non-Tapered Reducing Clamp Elbows - *B2CM31MP*



Tube OD	Dimensions		304	316L
	A	B	Part Number	Part Number
2" x 1½"	2.750	2.750	B2CM31MPG200150	B2CM31MPR200150
2½" x 2"	3.500	3.500	B2CM31MPG250200	B2CM31MPR250200
3" x 2"	3.500	3.500	B2CM31MPG300200	B2CM31MPR300200
3" x 2½"	4.250	4.250	B2CM31MPG300250	B2CM31MPR300250

45° Clamp Elbows - *B2KMP*



Tube OD	Dimensions		304	316L
	A	R	Part Number	Part Number
½"	.966	1.125	---	B2KMP-R50
¾"	.966	1.125	---	B2KMP-R75
1"	1.125	1.500	B2KMP-G100	B2KMP-R100
1½"	1.437	2.250	B2KMP-G150	B2KMP-R150
2"	1.750	3.000	B2KMP-G200	B2KMP-R200
2½"	2.062	3.750	B2KMP-G250	B2KMP-R250
3"	2.375	4.500	B2KMP-G300	B2KMP-R300
4"	3.125	6.000	B2KMP-G400	 B2KMP-R400
6"	4.625	9.000	B2KMP-G600	B2KMP-R600
8"	5.875	12.000	B2KMP-G800	B2KMP-R800
10"	7.125	15.000	B2KMP-G1000	---
12"	8.375	18.000	B2KMP-G1200	---

Other types of elbows available call Dixon Sanitary for information



B2CMP-14

Clamp Elbows

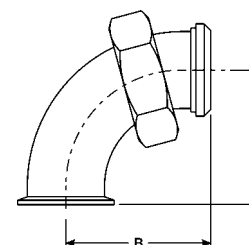
90° Clamp by Plain Bevel Seat with Hex Nut Elbows - B2FMP-14



B

Tube OD	Dimensions		304 Part Number
	A	B	
1"	2.000	2.218	B2FMP-14-G100 NEW
1½"	2.750	2.968	B2FMP-14-G150
2"	3.500	3.750	B2FMP-14-G200
2½"	4.250	4.625	B2FMP-14-G250
3"	5.000	5.406	B2FMP-14-G300
4"	6.625	7.031	B2FMP-14-G400 NEW

* hex nut is CF8 (304) stainless



Other types of elbows available call Dixon Sanitary for information



B2FMP-15



B2SXLMP
various radii