

Air Relief Valve



Application

Get control with the Bradford™ dependable air relief valve which can be installed vertically on top of a tank, container or tube where air removal is required.

Examples:

1. Bleeding of a tube line where an air pocket has formed. This application calls for installation at the top of the tube.
2. Bleeding of a tube on the suction side of a pump. The suction side is bled automatically, before the pump starts, establishing a vacuum. Binding of air to liquid will be prevented, and so will subsequent cavitation. In this application the valve is mounted in front of the pump, on the top of the inlet tube.

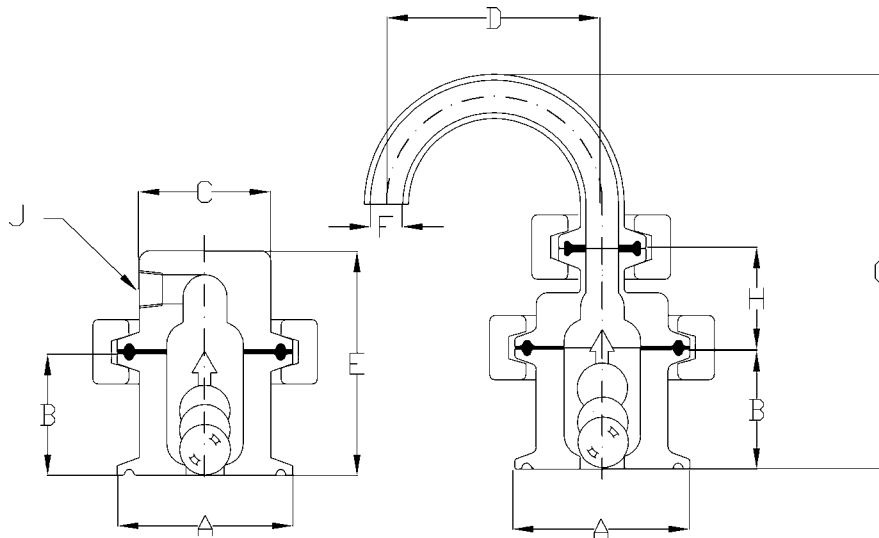
Working Principle

The Bradford™ air relief valve allows air to be removed from a line or container without the liquid flowing out. Its design does not allow air to enter the line or container, even if subjected to a negative pressure. It is a double-seated valve with a freely moving polypropylene ball. The ball, which is lighter than water, closes against the upper or lower seat, depending on the pressure conditions.

Features and Benefits

- no tools for assembly or disassembly
- ball and gaskets are replaceable
- The valve seals for both pressure and vacuum.
- All product contact surfaces have a radius of 1/4" or better.
- The valve ball is constructed of FDA, 3A approved polypropylene.
- PTFE valve ball is available (density=0.078 lb/in³)
- other gasket materials available
- maximum temperature: **230°F**

Technical Data, Specifications and Dimensions



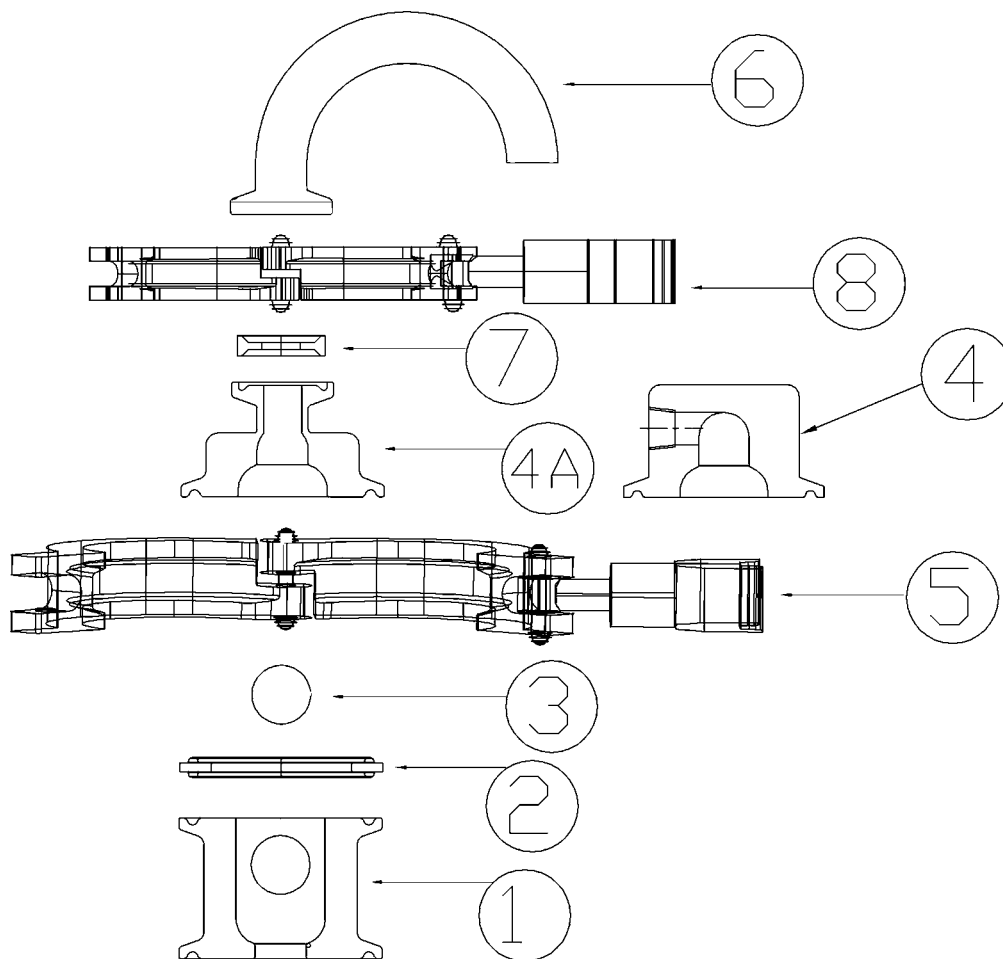
R

Part Number	Description	Dimensions (in)								
		A	B	C	D	E	F	G	H	J
BARV-G150	1½" air relief valve	1.98	1.4	1.5	—	2.4	—	—	—	1/8" NPT
BARV-G200	2" air relief valve	2.516	1.4	1.5	—	2.4	—	—	—	1/8" NPT
BARVE-G150	1½" air relief valve	1.98	1.4	—	1.5	—	0.37	4.5	1.1	—
BARVE-G200	2" air relief valve	2.516	1.4	—	1.5	—	0.37	4.5	1.1	—

• Note: all dimensions are in inches. Dimensions are approximate. Engineering dimensions are available upon request. Specifications are subject to change without notice.

Air Relief Valve

Materials List



Item	Description	Material	Quantity	
			BARV	BARVE
1	body	304 stainless	1	1
2	1" gasket	EPDM	1	1
3	ball	polypropylene	1	1
4	cover	304 stainless	1	NA
4a	cover	304 stainless	NA	1
5	1½" clamp	CF8	1	1
6	180° tube ferrule	304 stainless	NA	1
7	½" gasket	EPDM	NA	1
8	½" clamp	CF8	NA	1

R